

## CONTENTS

### Apex Roof

A1	Featheredge Roofing 2030mm	x24
A2	2x2 Roof Framing 1840mm	x4
A3	2x2 Roof Framing 880mm	x8
A4a	4x1 Roof Fascia 970mm	x2
A4b	4x1 Roof Fascia 970mm	x2
A5	Roof Centre Support Wedge	x4
A6	Diamond Centre Piece	x1
A7	Roof Capping Rail 2030mm	x1
A8	Roof Braces 650mm	x2

### Side Panels

B1	2x2 Vertical Framing 1810mm	x4
B2	Hand / Baserail 1755mm	x6
B3	Handrail Spindle 900mm	x24
B4	2x2 Horizontal Framing 1755mm	x2
B5	2x2 Support Braces 380mm	x4

### Rear Panel

C1	2x2 Vertical Framing 1810mm	x2
C2	Hand / Baserail 1755mm	x3
C3	Handrail Spindle 900mm	x12
C4	2x2 Horizontal Framing 1755mm	x1
C5	2x2 Support Braces 815mm	x2
C6	2x1 Decorative Framing 100mm	x2
C7	2x1 Decorative Framing 240mm	x2
C8	2x1 Decorative Framing 380mm	x2
C9	2x1 Decorative Framing 520mm	x2
C10	2x1 Decorative Framing 610mm	x2
C11	Support Posts 2070mm or 2400mm	x4

### Wood Screws\*

40mm 1 1/2g x 8g	x214
50mm Deck Screws	x8
75mm Deck Screws	x98

\*Please note that you may receive additional screws in your kit.



**Assembly will require  
at least 2 people**

**Please read these instructions  
carefully and plan your build  
We recommend a minimum of two  
people to assemble this structure  
Always check the diagrams as a  
reference before each step**

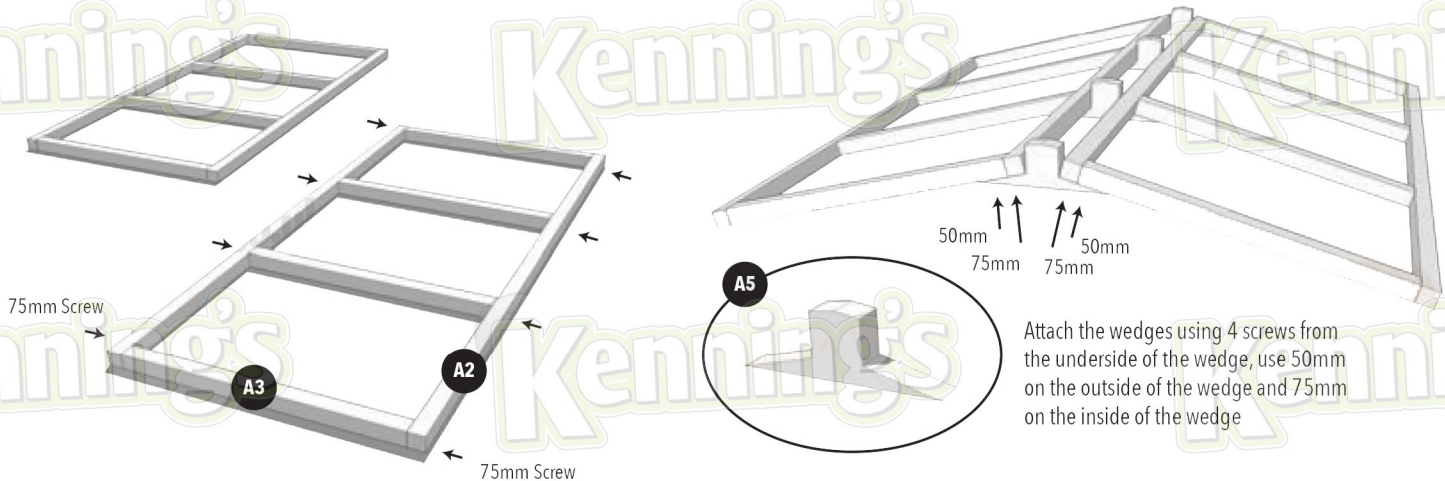
# Hot Tub Gazebo Fitting Instructions



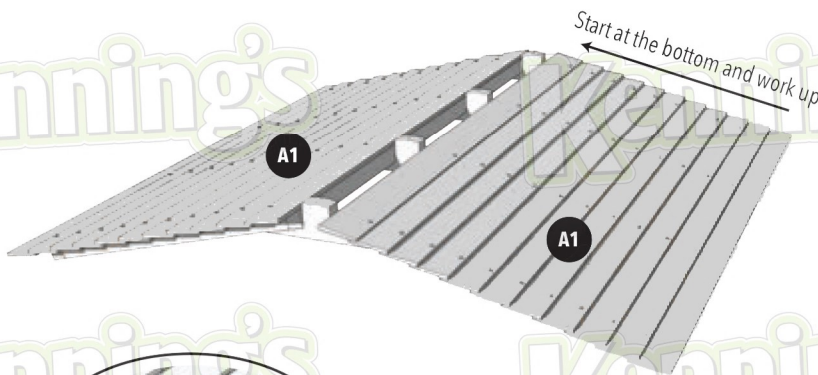
## Step 1 - Assembling the Apex Roof

Start by evenly spacing four **2x2 Roof Framing 880mm (A3)** and boxing them in with two **2x2 Roof Framing 1840mm (A2)** to create a frame, repeat this for the opposing side. Use 16 x 75mm screws (8 for each frame) as indicated in the diagram below.

Now, to create the apex, join the two frames together using the **four Roof Centre Support Wedge (A5)** attach the front and back wedges first and then the centers.



8 x 75mm & 8 x 50mm Screws to secure frame to wedges



Attach the **Featheredge Roofing 2030mm (A1)** to the roof starting from the bottom to the top of the apex using 40mm screws into the roof framing below, remember to leave a minimum of 15mm overlap on each board, use eleven boards per side of the roof.

Remember to leave minimum of 15mm overlap on each board and to screw through the thick part of the featheredge board using 40mm screws into the roof framing below

To complete the apex on the roof use the two remaining featheredge boards and fix them to the roof top as shown and cap off with 4 x 40mm screws into the **Roof Capping Rail 2030mm (A7)**



A total of 96 x 40mm Screws will be needed for the roofing

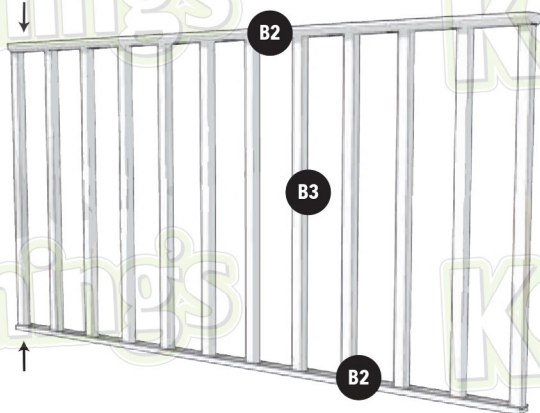
# Hot Tub Gazebo Fitting Instructions



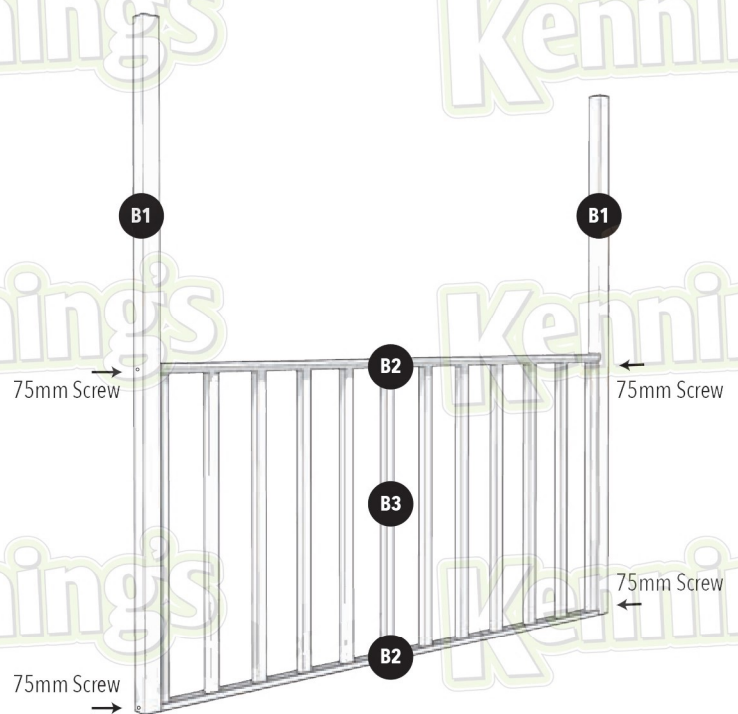
## Step 2 - Assembling the Side Panels

Start by evenly spacing **12 Handrail Spindles (B3)** and fixing on to two of the **Hand / Baserail 1755mm (B2)** screwing through the top and bottom into each spindle.

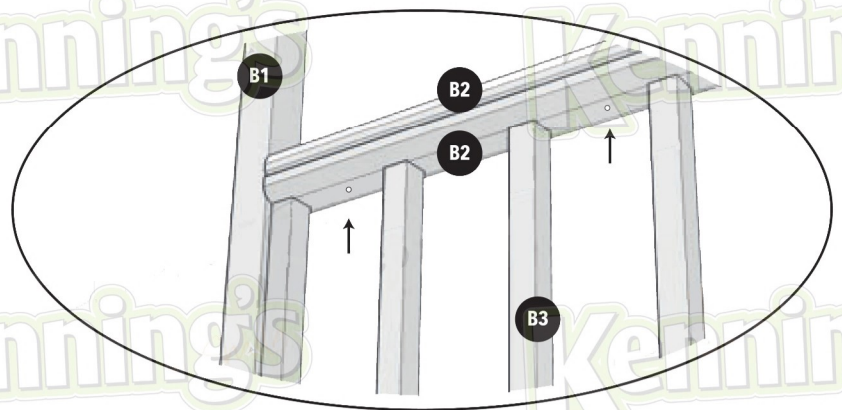
2 x 40mm screws per spindle  
1 at the top & 1 at the bottom



Now take two of the **2x2 Vertical Framing 1810mm (B1)** and screw them to each side of handrail previously built with 75mm screws as indicated in the diagram below.



Attach the remaining **Hand / Baserail 1755mm (C2)** to the top of the handrail system by screwing from the underside of the already fitted **Hand / Baserail 1755mm (C2)**



Screw into the handrail from the underside of the handrail (B2) using 40mm screws, 6 screws for each panel as indicated in the diagram above

# Hot Tub Gazebo Fitting Instructions



## Step 2 Cont'd - Assembling the Side Panels

Fix one **2x2 Horizontal Framing 1755mm (B4)** in between the top of the vertical framing making a flush finish. Use 2 x 75mm screws at each end.



Using two of the **2x2 Braces 380mm (B5)** screw these using 75mm screws from the outside of the frame to each top corner of the panel.



Repeat the above for the second side panel.

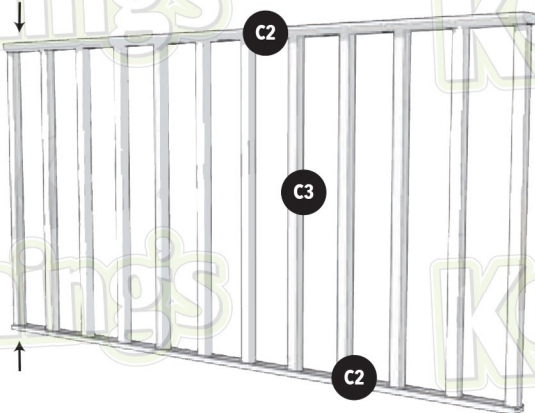
# Hot Tub Gazebo Fitting Instructions



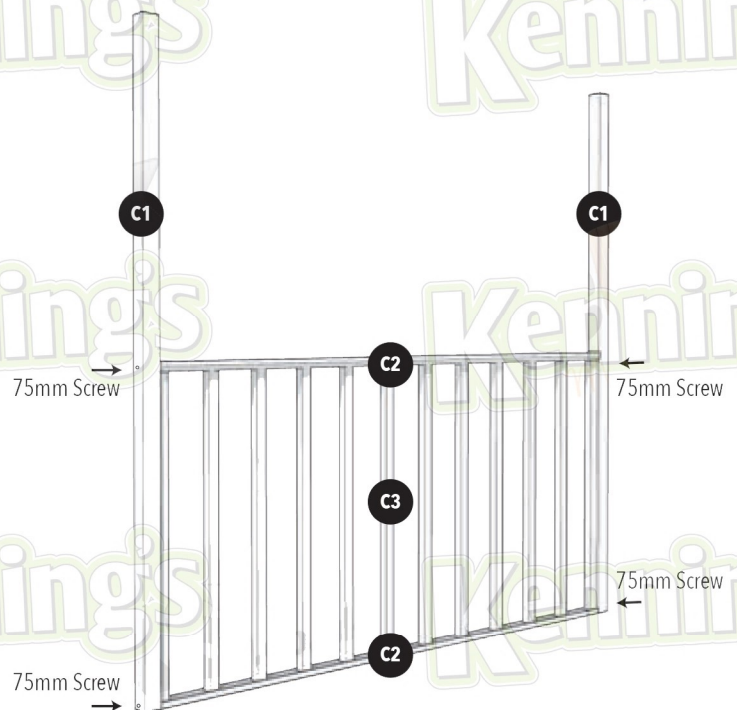
## Step 3 - Assembling the Rear Panel

Start by evenly spacing **12 Handrail Spindles (C3)** and fixing on to two of the **Hand / Baserail 1755mm (C2)** screwing through the top and bottom into each spindle.

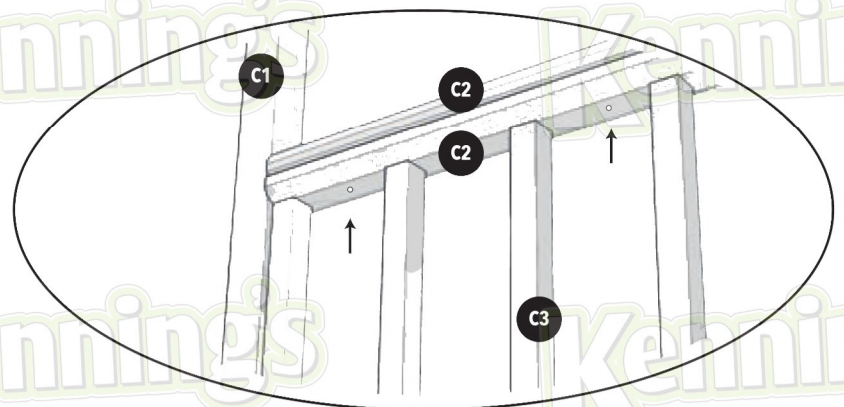
2 x 40mm screws per spindle  
1 at the top & 1 at the bottom



Now take two of the **2x2 Vertical Framing 1810mm (C1)** and screw them to each side of handrail previously built as indicated in the diagram below.



Attach the remaining **Hand / Baserail 1755mm (C2)** to the top of the handrail system by screwing from the underside of the already fitted **Hand / Baserail 1755mm (C2)**



Screw into the handrail from the underside of the handrail (C2) using 40mm screws, 6 screws for each panel as indicated in the diagram above

## Step 3 Cont'd - Assembling the Rear Panel

Fix one **2x2 Horizontal Framing 1755mm (C4)** in between the top of the vertical framing making a flush finish.



Using the two **2x2 Braces 815mm (C5)** screw these to each top corner of the panel using 75mm screws as shown below for each brace. Finally, add the **2x1 Decorative Framing (C6 - C10)** starting with the longest length on the outside ending with the shortest length on the inside, using 40mm screws at the top and bottom to secure to the frame.



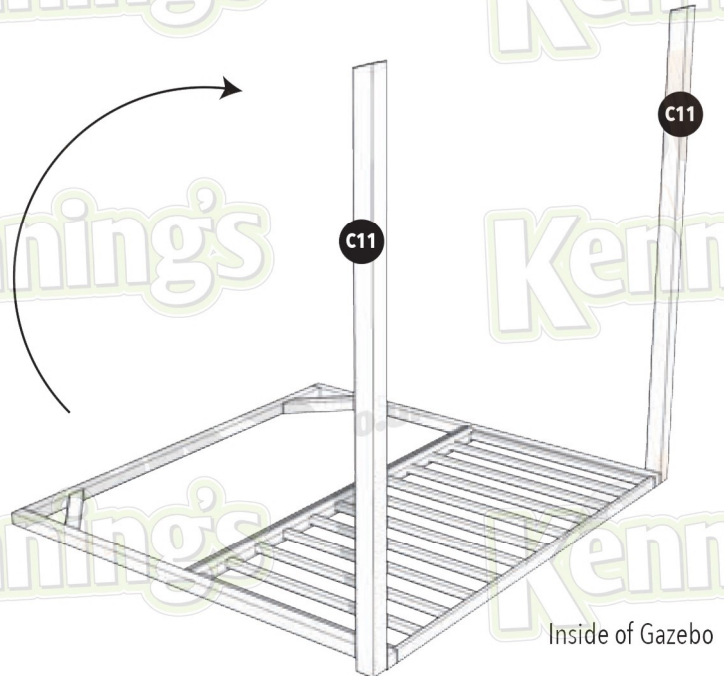
Panel from outside

## Step 4 - Support Posts

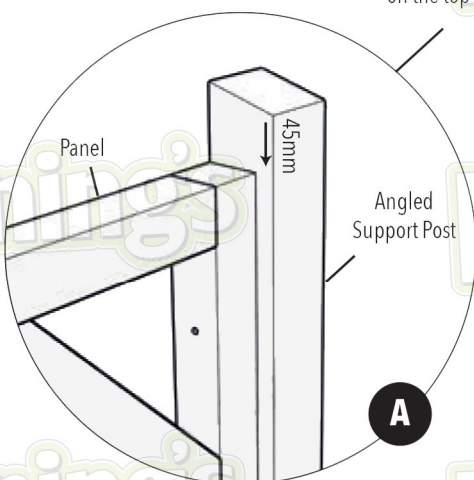
When fitting Option A - the support posts 2400mm will be required to be bedded into the ground 480mm.

For all options A, B & C make sure there is a 45mm gap from the lowest point of the angle on the top of the posts to the top of the side / rear panel (See diagram **A** below)

Start by placing one side panel flat on the floor in your desired location for the Gazebo now place a **Support Post (C11)** at each side of the panel making sure flush with the panel, you will then need one or two people to lift and hold the panel so its vertical and can be secured to the support post do this using 75mm screws as indicated in the diagram below to secure the panels onto the support posts.



**Remember to take consideration of the space around you for the full structure.**



Fit the panels 45mm down from the lowest point of the angle on the top of support posts

Use 75mm Screws as indicated to secure the panel onto the support posts

The top of each support post is angled to follow the shape of the apex roof, please correctly face all profiles of the posts for the roof to be securely fitted later.

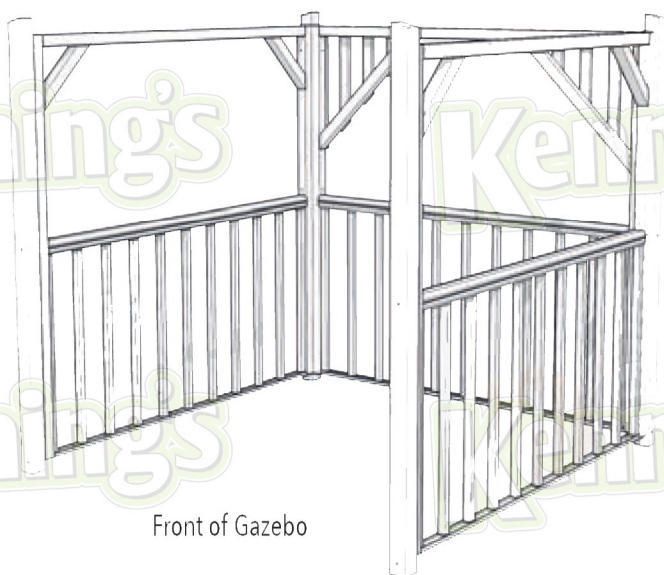
# Hot Tub Gazebo Fitting Instructions



## Step 4 Cont'd - Support Posts

Repeat the process for the rear panel and the remaining side panel.

A total of 24 x 75mm Screws will be used for this step.



Front of Gazebo



Back of Gazebo

24 x 75mm Screws required for this step

Page 8 of 10

All images are for illustration only, Please see individual item listings for actual item specifications

01405 720127 - [www.kennings.co.uk](http://www.kennings.co.uk) - [sales@kennings.co.uk](mailto:sales@kennings.co.uk)

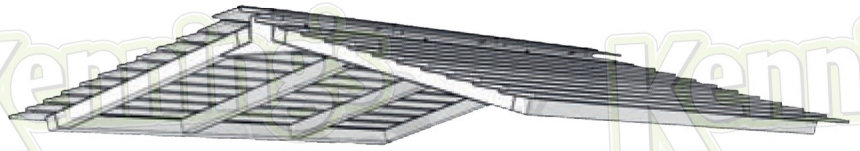


# Hot Tub Gazebo Fitting Instructions



## Step 5 - Fastening the Apex Roof

Lift the roof above the gazebo and rest it in place in between the posts, on top of the horizontal framing and screw in place using 75mm screws as indicated in the diagram to secure.



Add the 2 **4x1 Roof Fascias 970mm (A4a)** using 40mm screws to the front of the Gazebo

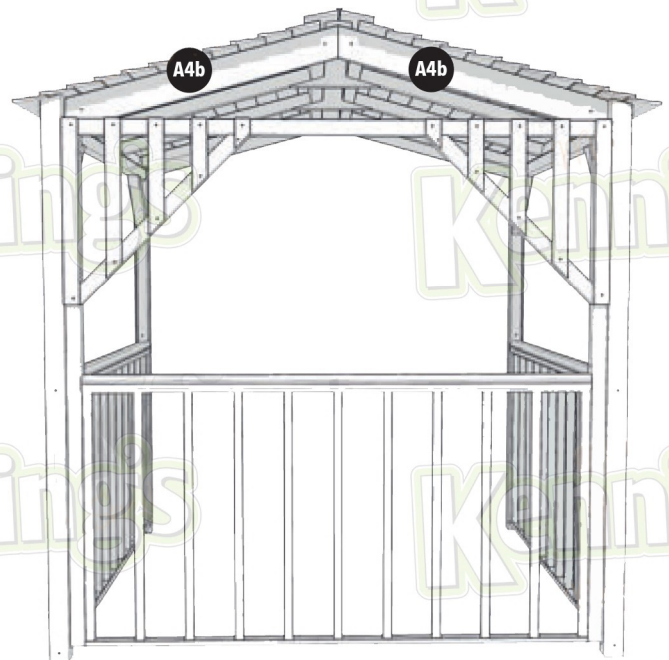
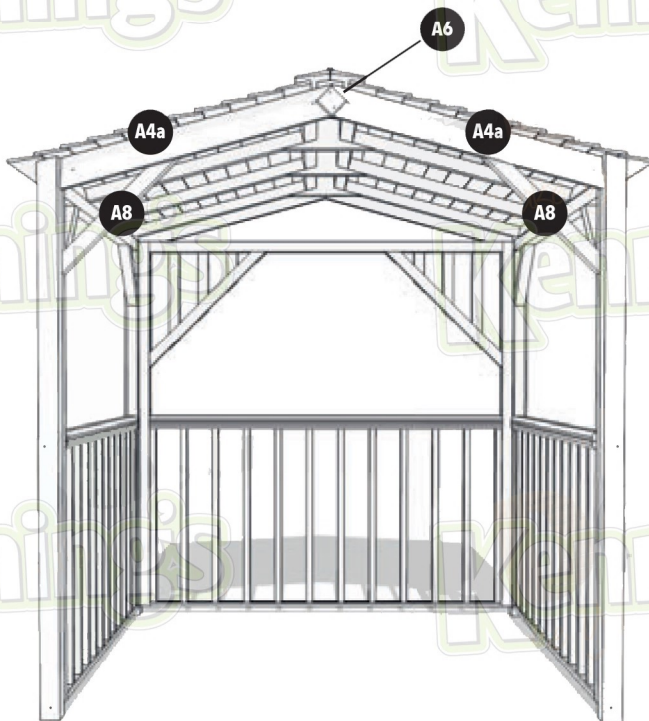
Add the 2 **4x1 Roof Fascias 970mm (A4b)** to the back of the Gazebo using 40mm screws

Add the **Diamond Centre Piece (A6)** using 2 x 75mm screws.

Finally add the 2 front roof braces **A8** using 1 x 75mm screws at either end of the brace into the Gazebo framing.



8 x 75mm Screws



# Hot Tub Gazebo Fitting Instructions

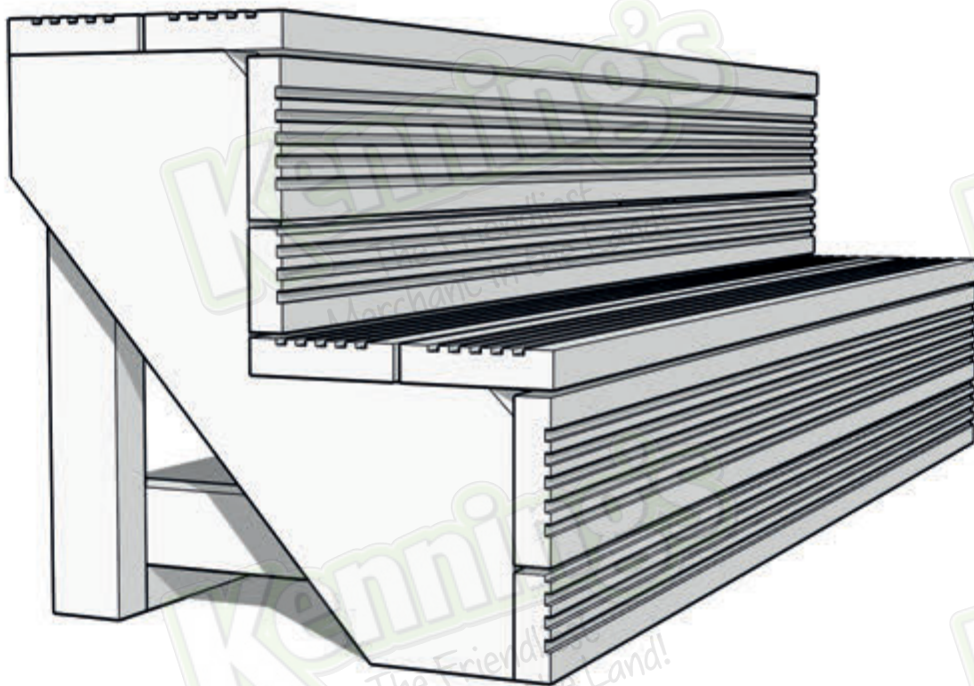


**Finish**



## Kit Contents

- 2 X 2 STEP STRINGERS (A)**
- 6 X 890MM LENGTHS OF STANDARD DECKING (B)**
- 2 X 890MM LENGTHS OF RIPPED DOWN DECKING (C)**
- 1 X 720MM LENGTH FLOOR SUPPORT (D)**
- 2 X 440MM LENGTH UPRIGHT VERTICAL SUPPORT (E)**
- 2 X 450MM LENGTH HORIZONTAL SUPPORT (F)**
- 2 X 100MM SUPPORT BLOCK (G)**
- 22 X 75MM SCREWS (H)**
- 42 X 60MM SCREWS (I)**



**If you've ordered the anti slip version be sure to use the anti slip boards on the tread steps.**

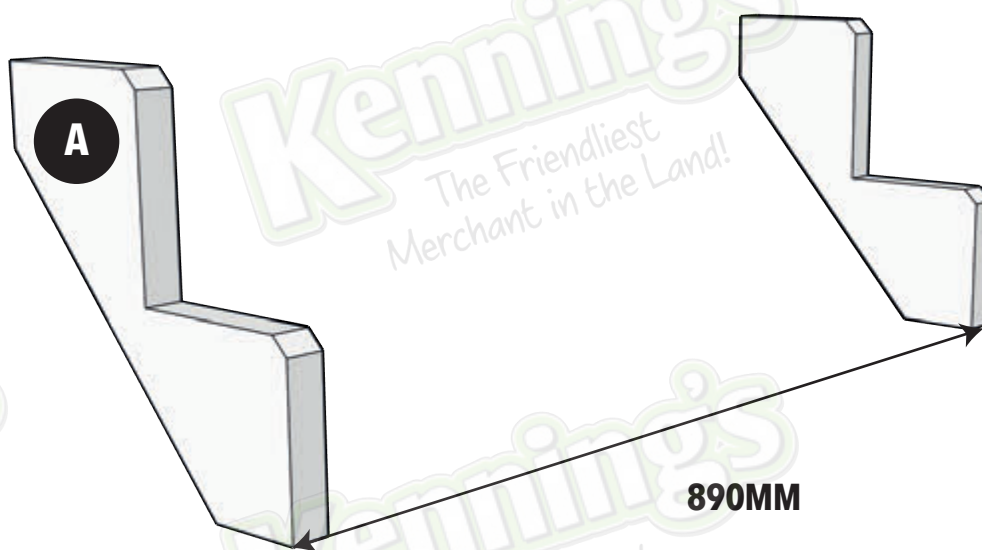
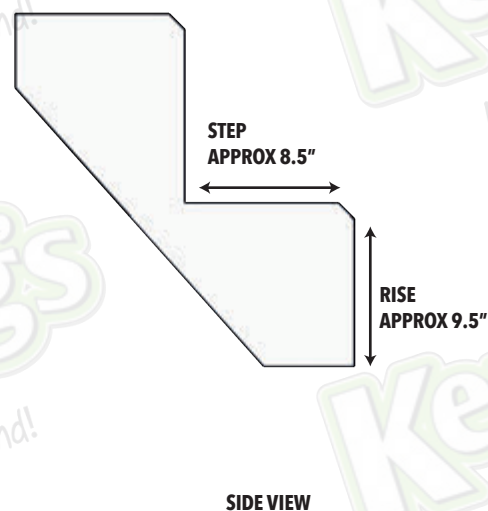
**Don't forget to check your work with a level as you go!**

# Hot Tub Step Fitting Instructions

## Step 1

First make sure the ground is flat and level, then measure and place your stringers. Place your stringers at 890mm apart, outside edge to outside edge

As shown on the diagram opposite the rise on the stringers should be 9.5" and the step should be 8.5", please make sure your stringers are the correct way up.



**If you've ordered the anti slip version be sure to use the anti slip boards on the tread steps.**

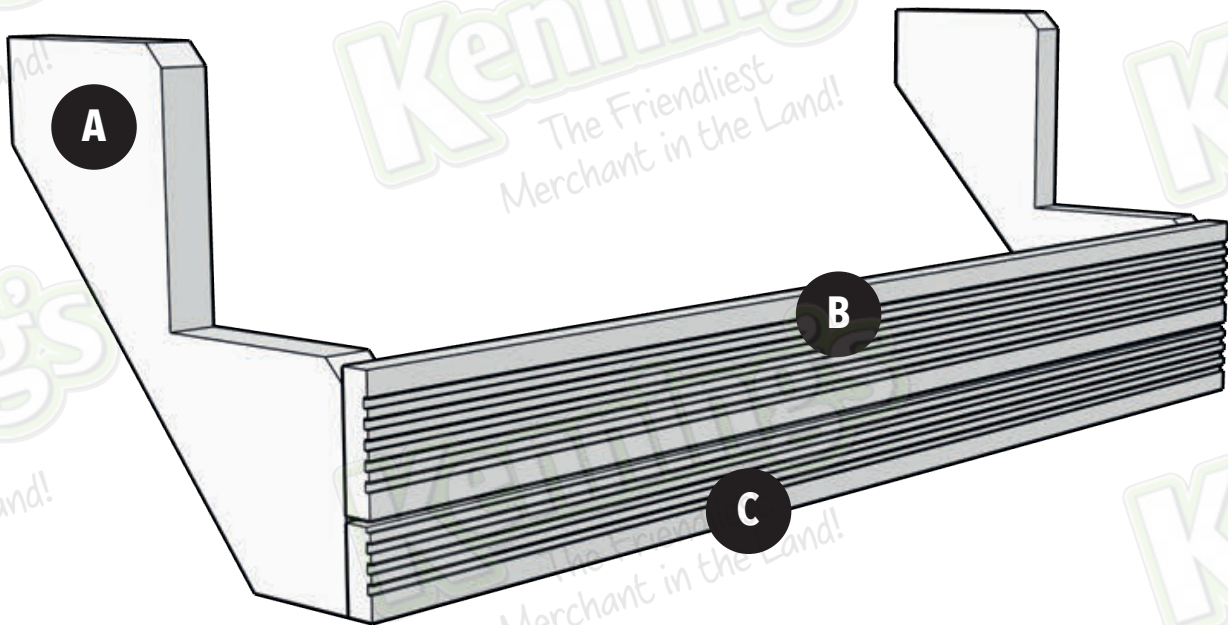
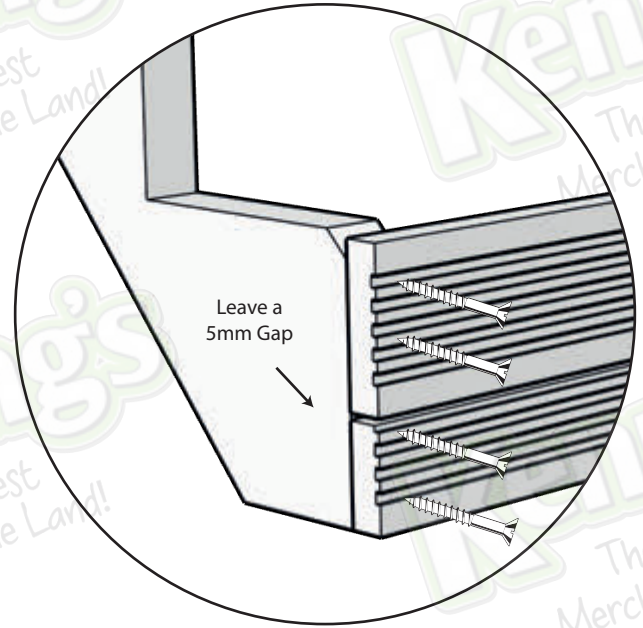
**Don't forget to check your work with a level as you go!**

# Hot Tub Step Fitting Instructions

## Step 2

Start by securing the lowest board to the base of the stringers, use 4 60mm screws (I) - 2 at each end of the board to secure the board in place.

Once in position secure the ripped down board (C) in the same way, leaving a 5mm gap between the boards.



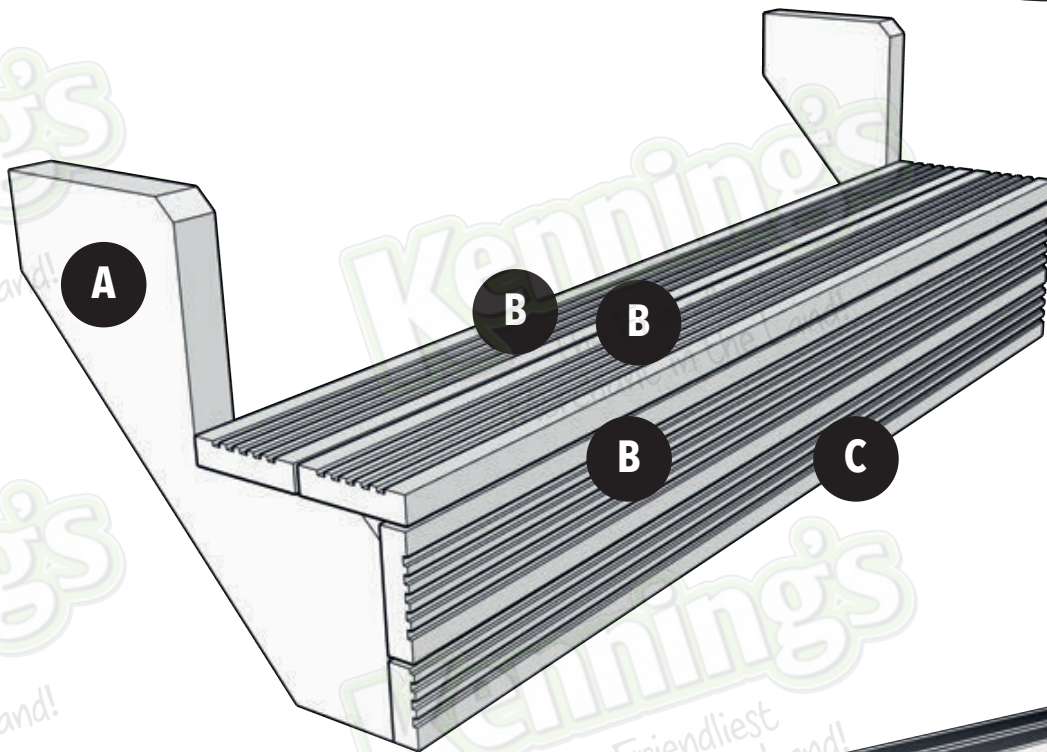
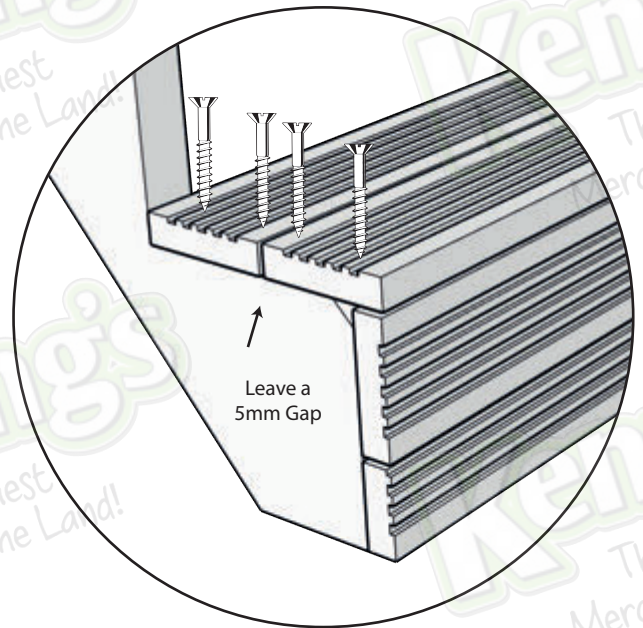
**If you've ordered the anti slip version be sure to use the anti slip boards on the tread steps.**

**Don't forget to check your work with a level as you go!**

## Step 3

Next position and secure the lowest step boards, start at the front so that the deck board overhangs the stringer slightly and covers the edge of the ripped down board fitted in previous step, the edge of this board should be flush with the riser boards below, secure using 2 60mm screws (I) at each end.

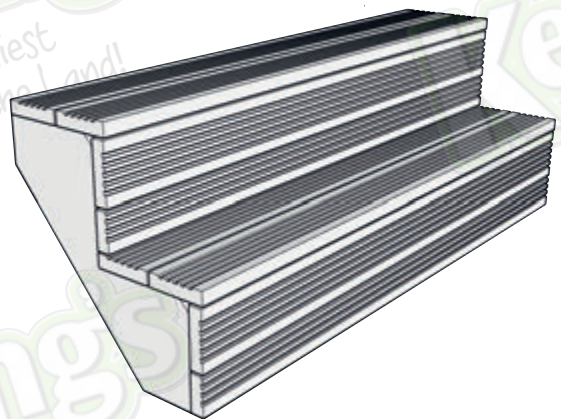
Once in position place the second board behind the front board leaving a 5mm gap, don't worry if there is a small space where the board meets the corner of the stringer this will be covered by the riser boards in the next step.



Repeat the previous 2 steps for the second stringer step

**If you've ordered the anti slip version be sure to use the anti slip boards on the tread steps.**

**Don't forget to check your work with a level as you go!**

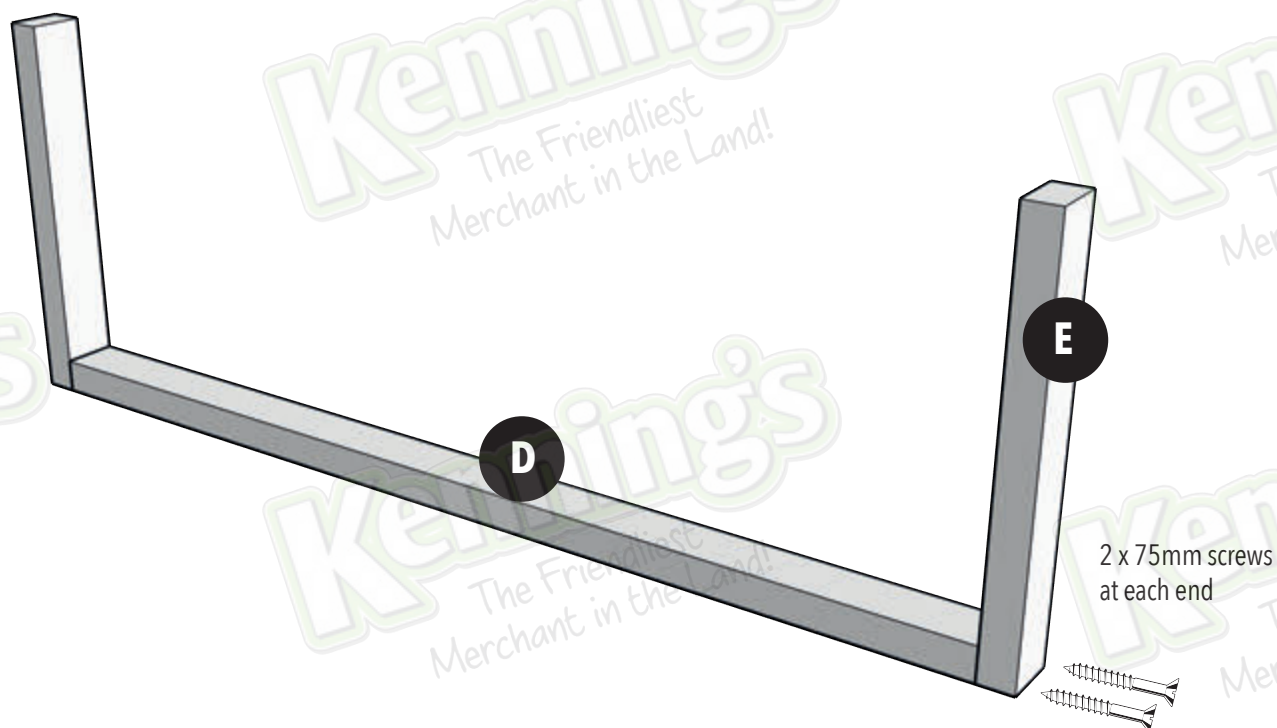


# Hot Tub Step Fitting Instructions

## Step 4

Lay the 720mm floor support (D) horizontally on the floor.

Attach the 2 upright vertical supports (E) and secure into each end of the floor support with 2 x 75mm screws (H) at each end.

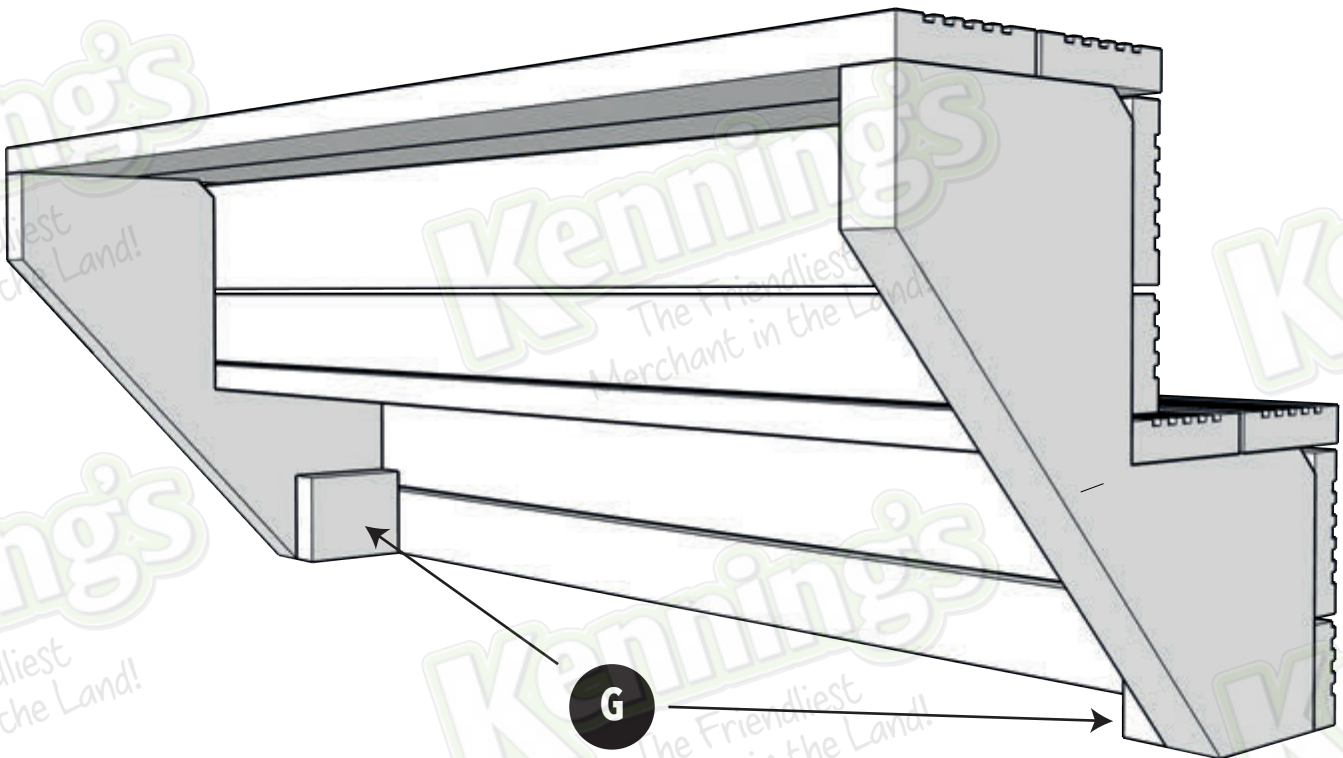
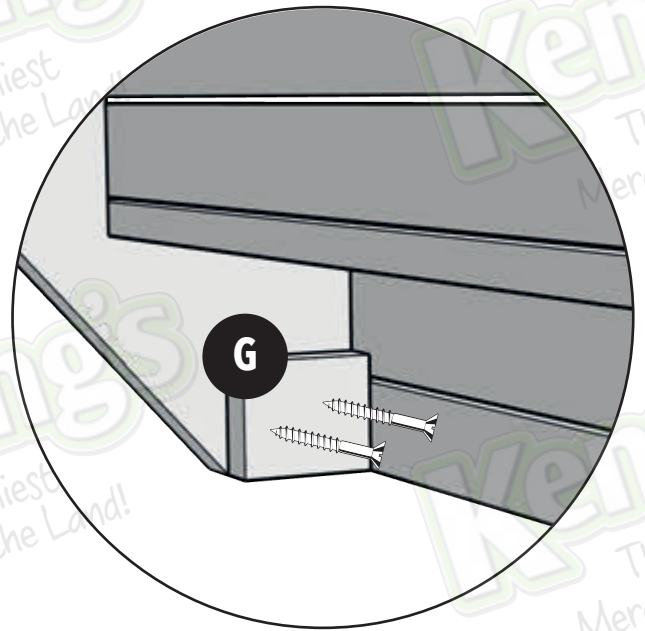


**Don't forget to check your work with a level as you go!**

## Step 5

On the inside of the assembled stair stringer attach the 100mm support block (G) flush with the bottom of each step stringer. Drive 2 x 75mm screws (H) to secure.

Please note, Step 7 will involve driving another 2 screws into this same support

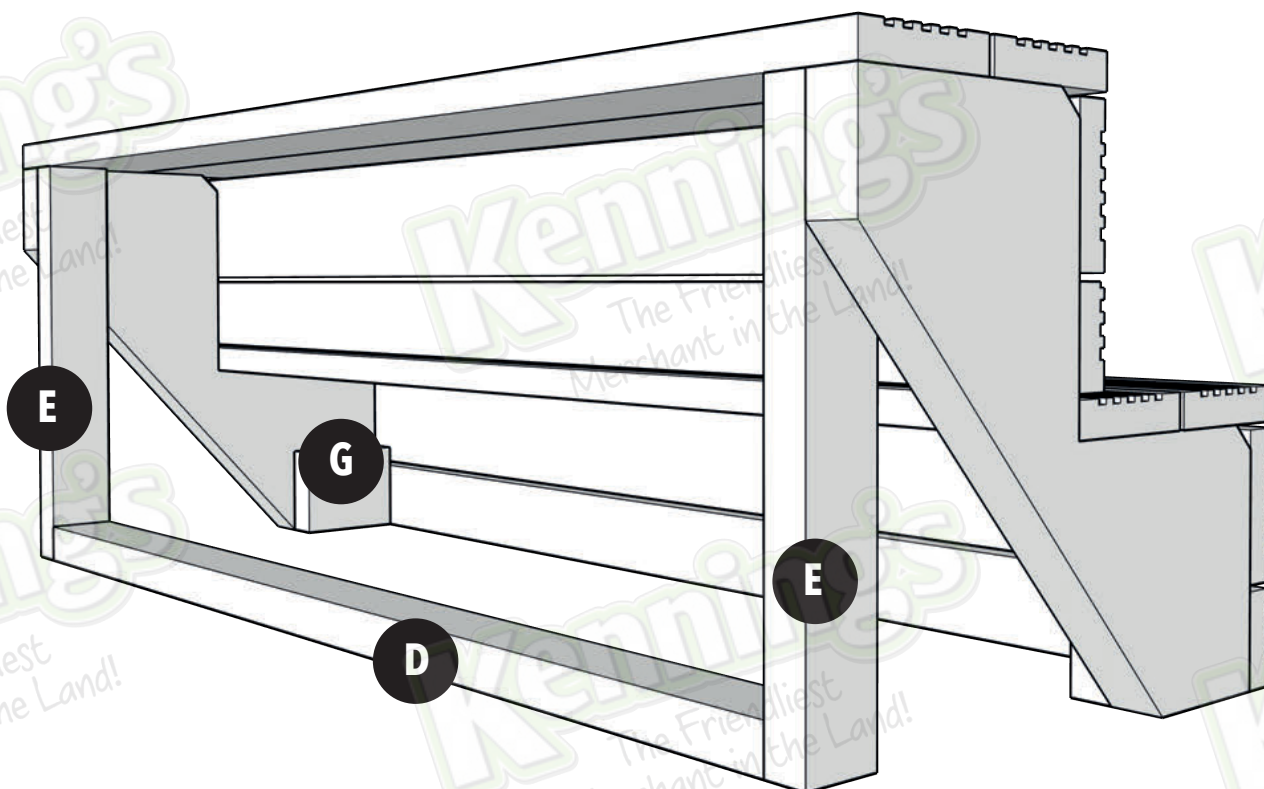
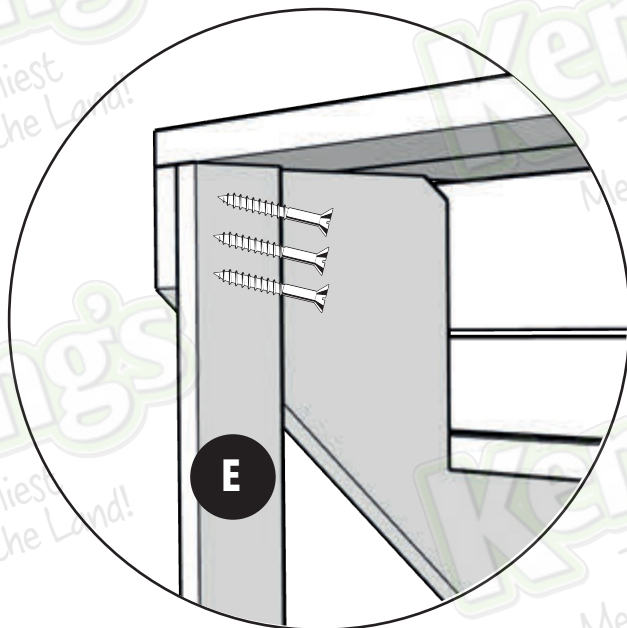


**Don't forget to check your work with a level as you go!**



## Step 6

Take the framing that you assembled in step 5 and align the upright vertical supports (E) flush with the end of the top of the step stringers. Secure by driving 3 x 75mm Screws (H)



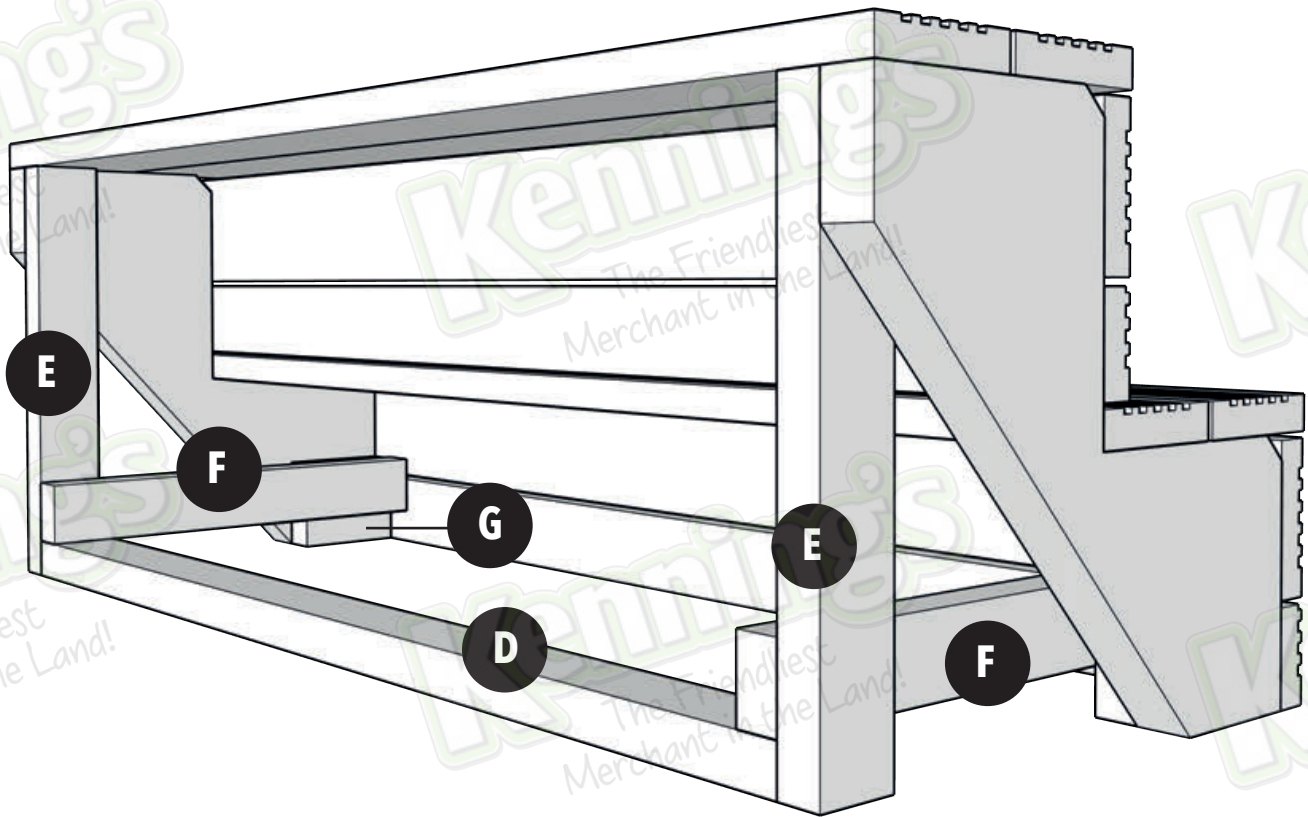
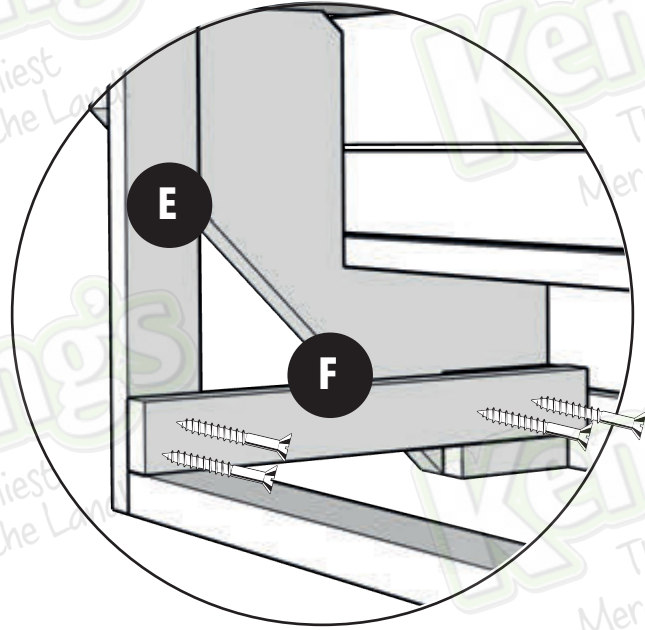
**Don't forget to check your work with a level as you go!**

## Step 7

Position the 460mm length horizontal supports (F) on top of the floor support (D) and against the support block (G) installed in step 6.

The horizontal support (F) should be 50mm above the ground when you attach it to the support block (G)

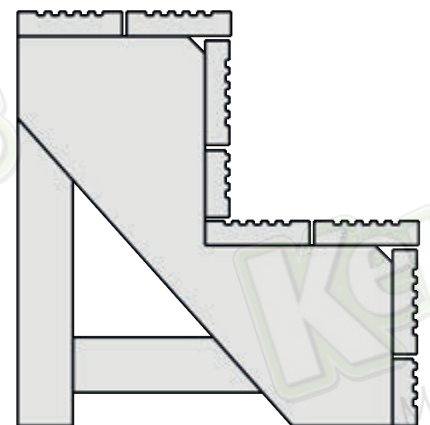
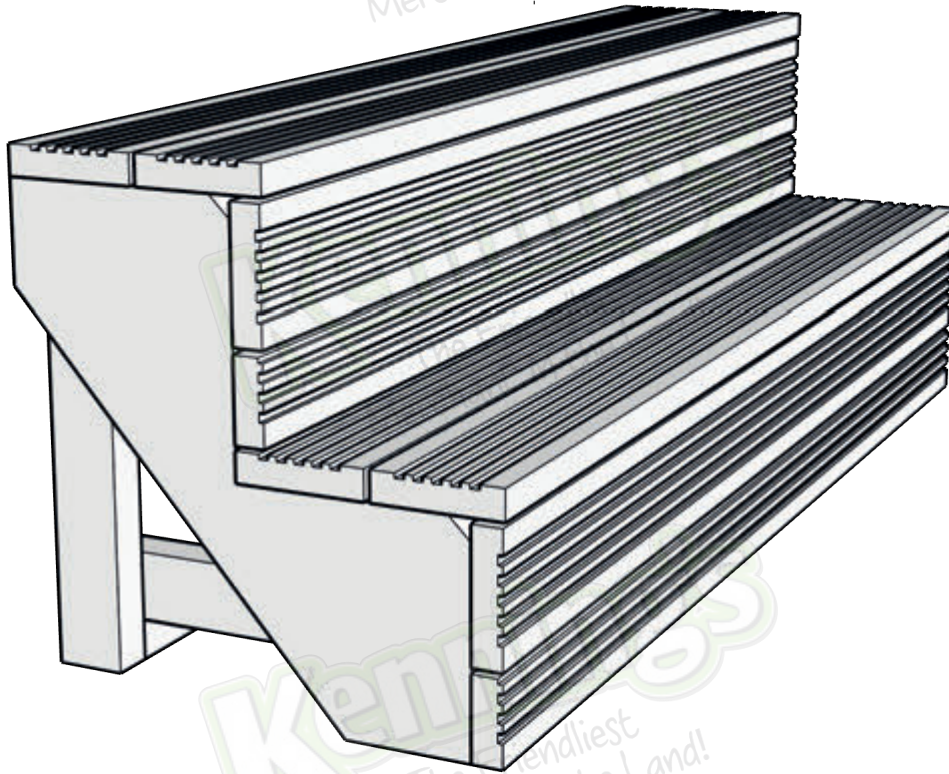
Secure with 2 x 75mm screws into the support block (G) and 2 x 75mm screws into the upright vertical support (E)



**Don't forget to check your work with a level as you go!**

# Hot Tub Step Fitting Instructions

## Finish!



Enjoy your newly built hot tub steps!